

ERF4016, 868 MHz antenna, SMA Male connector

Features

Electrical Properties

Parameter:	Description
Frequency Band:	868 MHz / 1800 ~ 2100 MHz / 2400 MHz
Nominal Impedance:	50 Ω
Polarization:	Vertical
V.S.W.R:	< 3.0

Mechanical Properties

Parameter:	Description
Antenna Type:	External Antenna
Connector Type:	SMA (Male)
Antenna Dimensions:	89 mm ± 5
Cable length:	500 mm ± 20
Antenna Color:	Black
Operating Temperature Range:	-30°C~+70°C
Storage Temperature Range:	-30°C~+70°C



Typical applications

- M2M
- GSM
- Bluetooth
- Wi-Fi
- Zigbee

Description

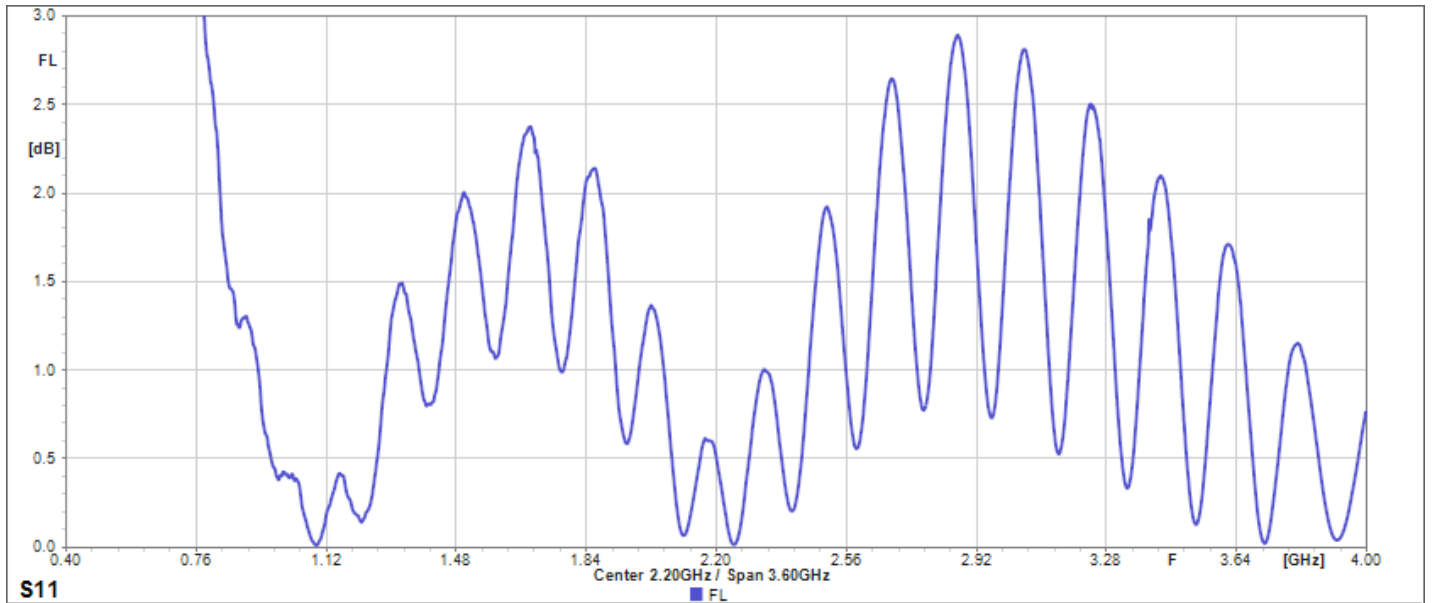
The ERF4016 antenna is a black 868 MHz antenna with a U.FL connector. The antenna can also be used in the frequency band of 1800 ~ 2100 MHz and 2400 MHz.

The antenna can be used for applications such as, M2M, GSM, Wi-Fi and Zigbee.

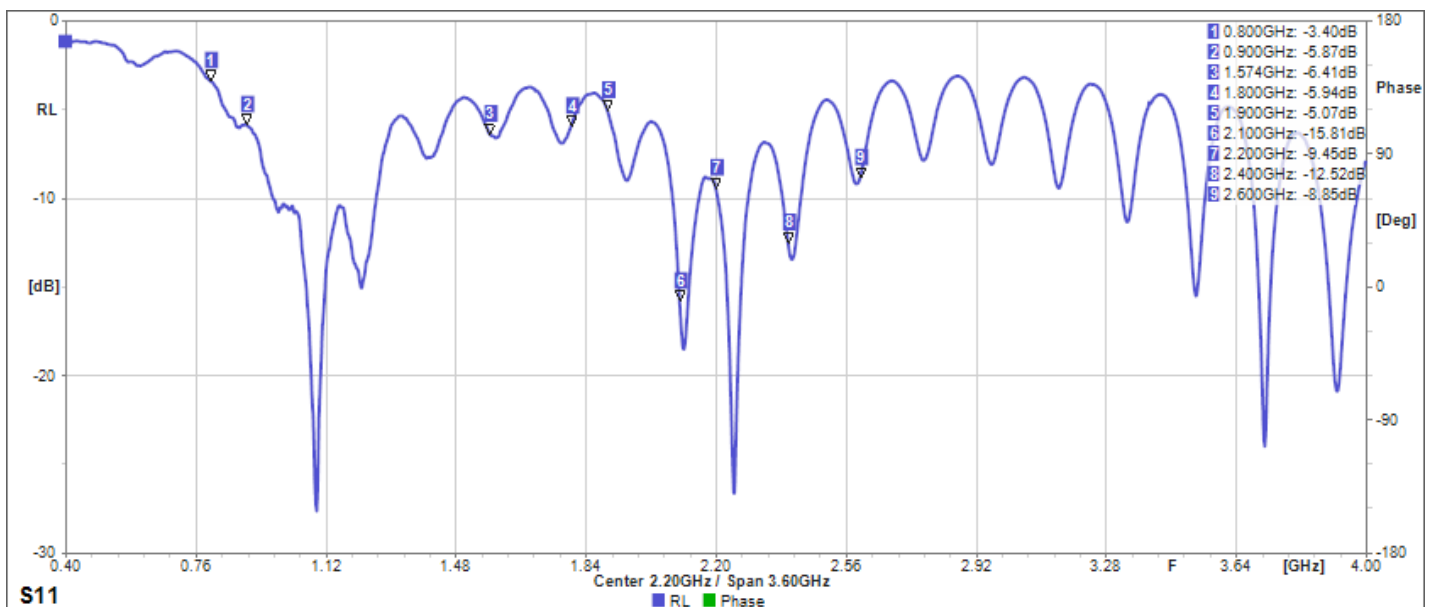
ERF4016, 868 MHz antenna, SMA Male connector

Antenna Properties

Return Loss

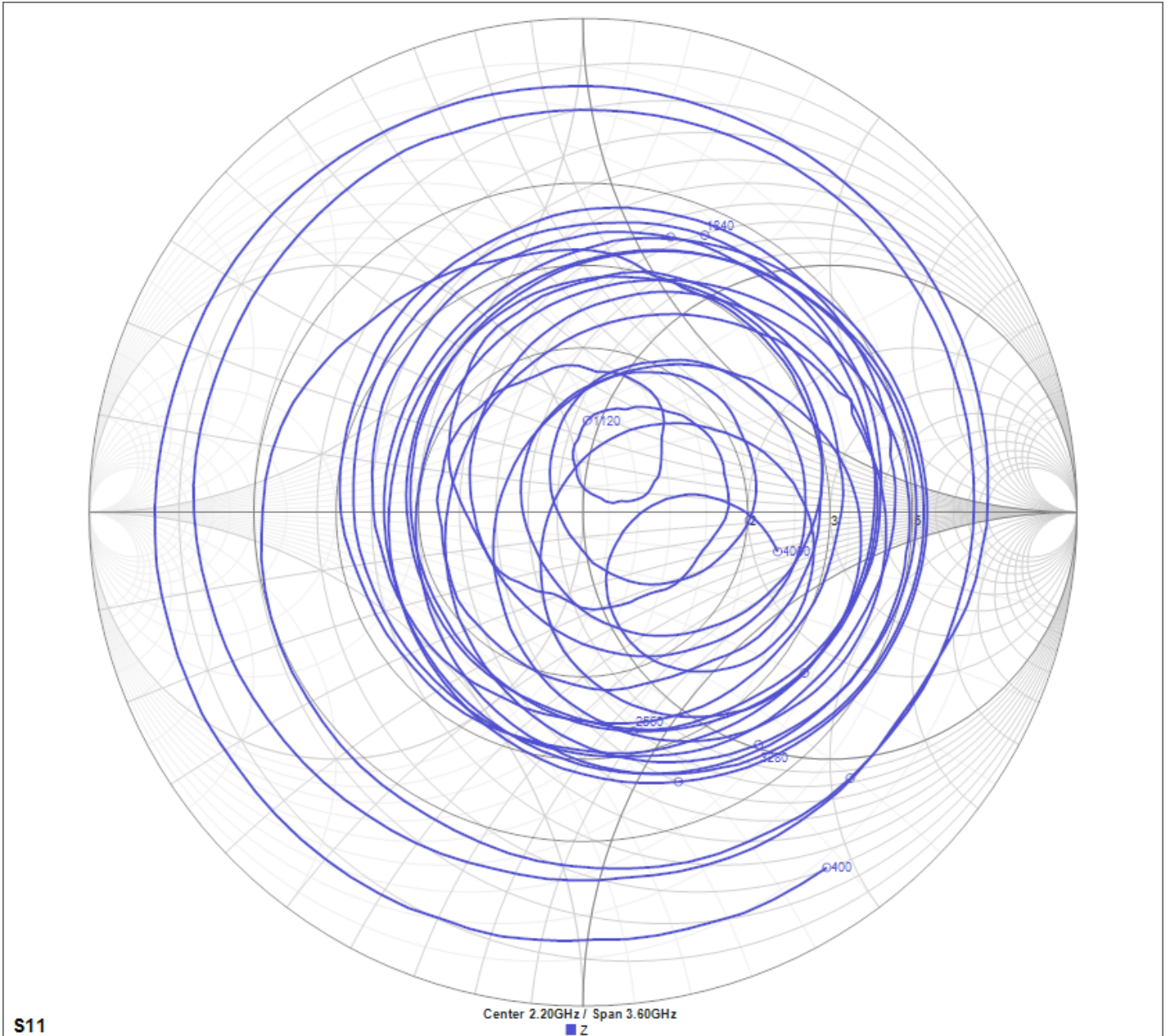


Forward Loss



ERF4016, 868 MHz antenna, SMA Male connector

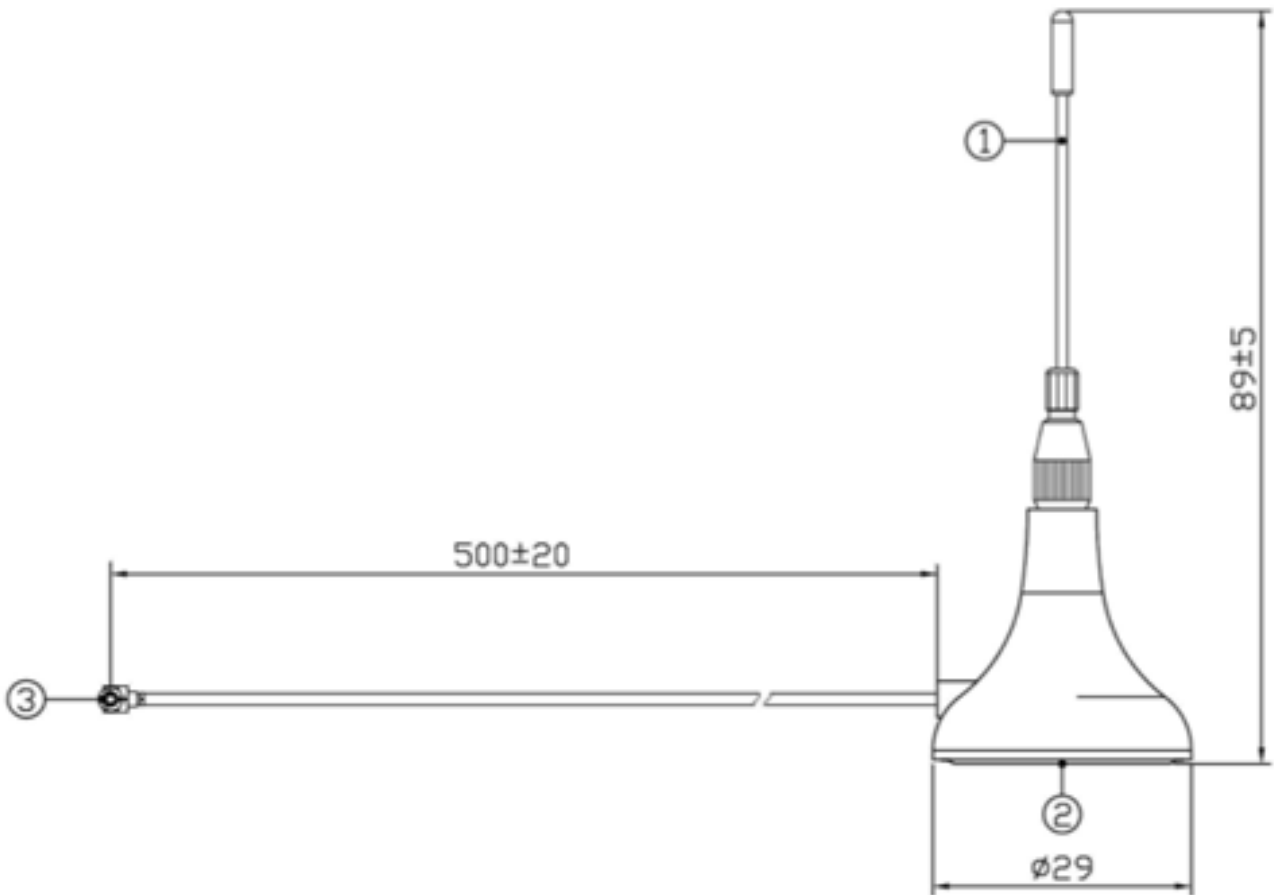
Impedance



ERF4016, 868 MHz antenna, SMA Male connector

Dimensions

*Unit: mm



ERF4016, 868 MHz antenna, SMA Male connector

Connector

The ERF4016 uses a SMA Male connector.

Ordering information

Ordering can be done via www.summit-electronics.com or via info@summit-electronics.com. Please contact us for more information. Customisation of the product is available on request.

Technical support

For all product questions please contact us via info@summit-electronics.com